

## Product Change Notification & Product Discontinuation Notification [PCN & PDN]

Manufacturer master data	
Company short name: Phoenix Contact	
Title / short description: PT 2,5 TWIN/QUATTRO housing change (versions with L current bar only)	
Type of notification:	Issue date: 2019-10-29
	Document ID: PBE180078
PCN format version: VDMA24903_1.0	Document Revision: 0
Company name: PHOENIX CONTACT GmbH & Co. KG	
Street: 36, Phoenix Road	Contact type: MANUFACTURER
ZIP code: 211100	Business Unit: Industrial Cabinet Connectivity (ICC)
City: Nanjing	E-Mail: info@phoenixcontact.com
State: Jiangning	Country: CHN

### Purpose/objective of the change

#### Affected article category

- Terminal blocks

#### Item category by VDMA 24903

- Electro mechanical

#### Change category

- Form and appearance

Item change type by smartPCN

Group

Detailed description of the change

*Short-term change (< 6 months) or discontinuation (< 12 months), due to:*

- Software / Firmware Bugfix
- Short-term delivery stop by supplier
- Short-term recall by supplier
- Force majeure
- Product improvement with customer benefits
- Others

#### Effective date (EOP)

2020-05-01

#### Detailed description of the change

##### Technical description – purpose

Housing change: removal of the groove for the PE foot and the inner, lower rib structure

##### Technical description – detail

No effect on the electrical functions, mechanical functions, or accessories

##### Identifying characteristics

Removal of the PE-foot groove in the plastic housing

#### Attachments

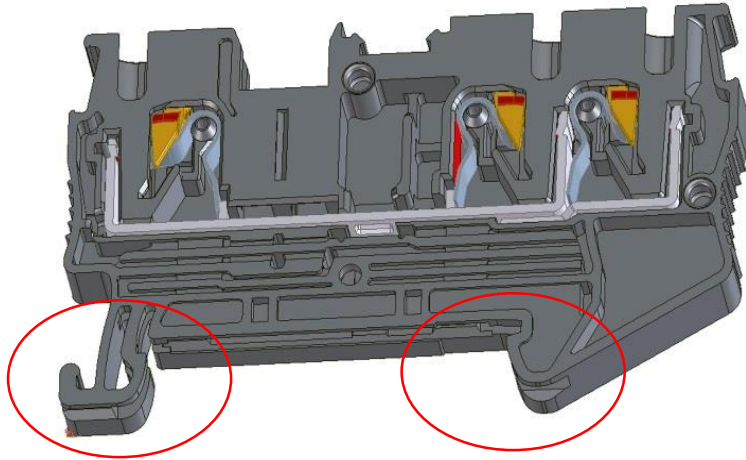
- Pictures\_PBE180078\_OLD\_NEW\_VC.pdf
- Material\_list.csv
- PCNmaster\_DE.pdf
- PCNmaster\_EN.pdf

## Material list

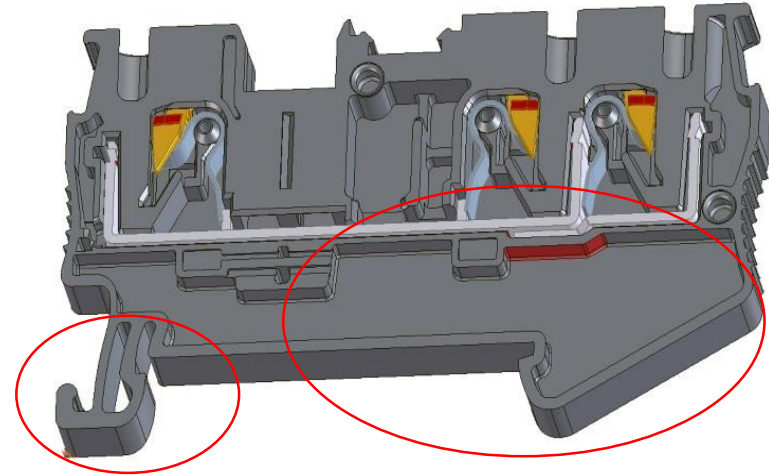
Item	Revision/production batch		Substitute item
	old	new	
3209549 PT 2,5-TWIN	12	13	
3209552 PT 2,5-TWIN BU	12	13	
3211223 PT 2,5-TWIN RD	11	12	
3209578 PT 2,5- QUATTRO	14	15	
3209581 PT 2,5- QUATTRO BU	13	14	
3209580 PT 2,5- QUATTRO RD	10	11	

**Pictures to PCN PBE180078 old/new V/C**

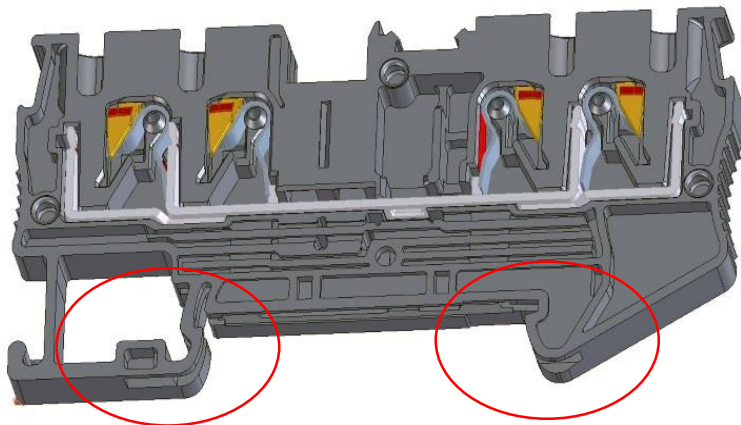
PT 2,5-TWIN old V/C



PT 2,5-TWIN new V/C



PT 2,5-QUATTRO old V/C



PT 2,5-QUATTRO new V/C

